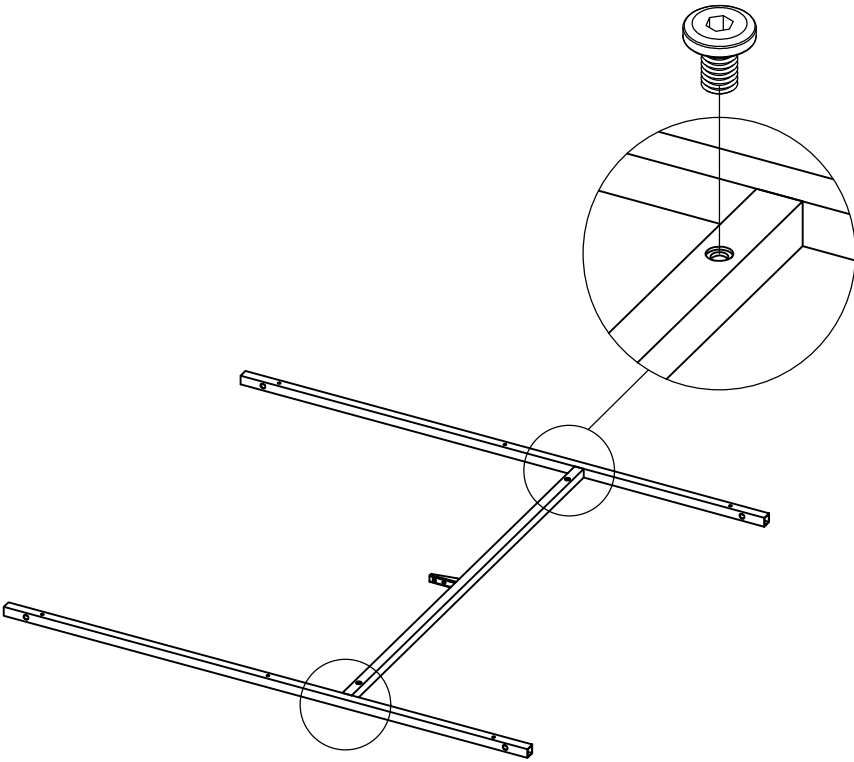
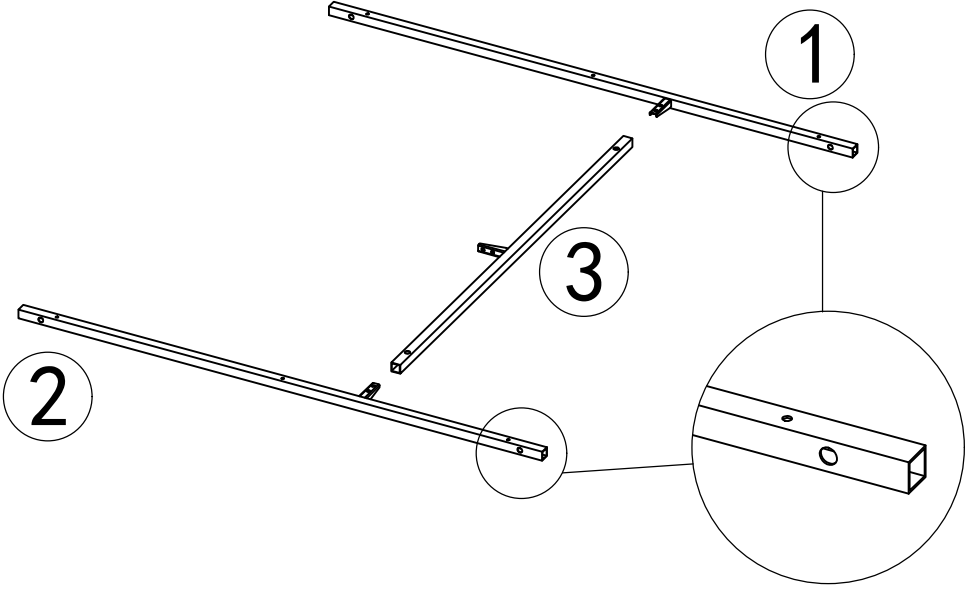
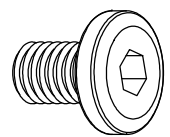


1

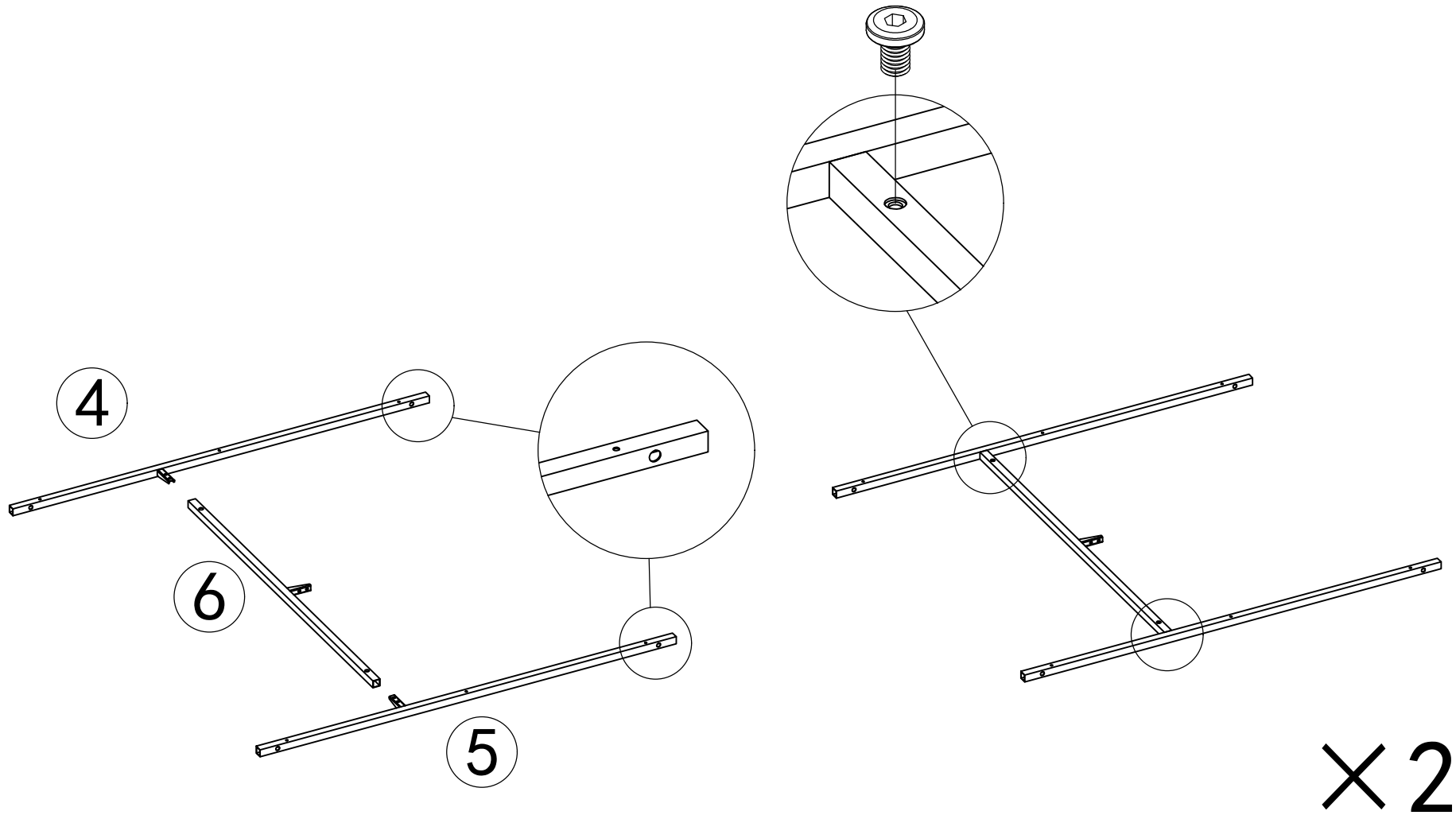


× 2

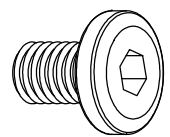
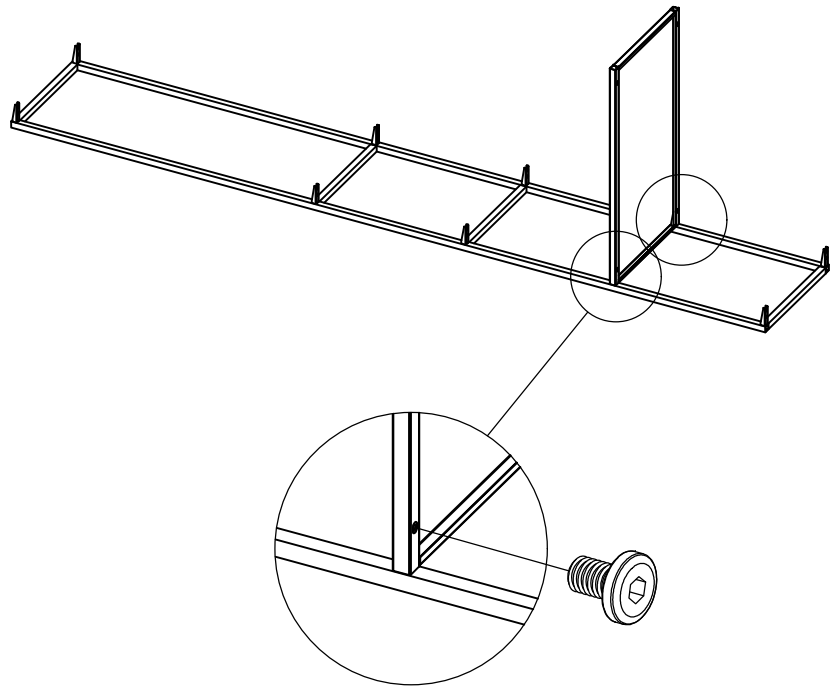
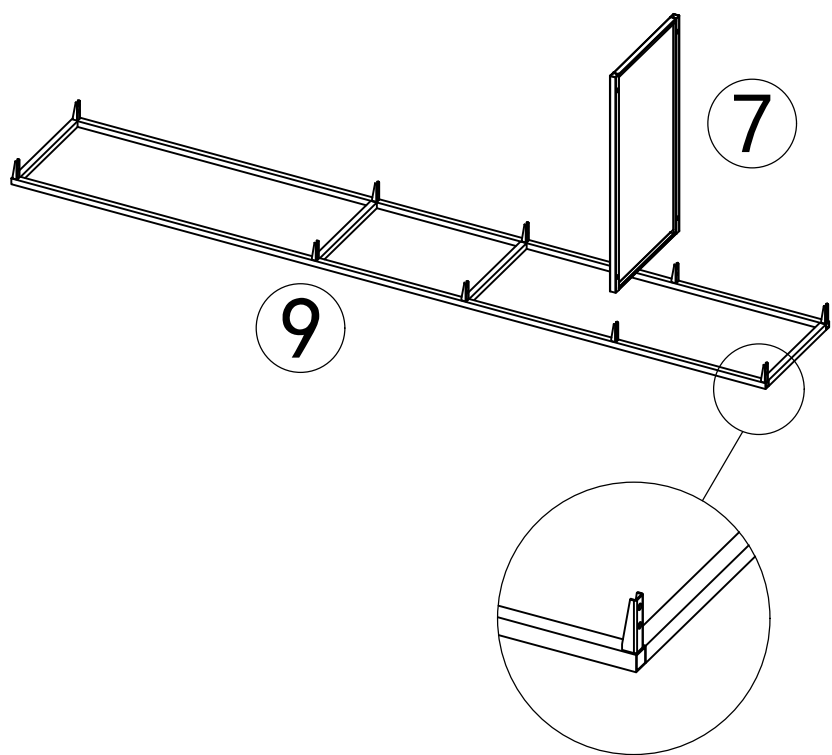


a × 4

2

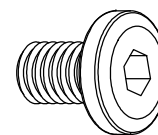
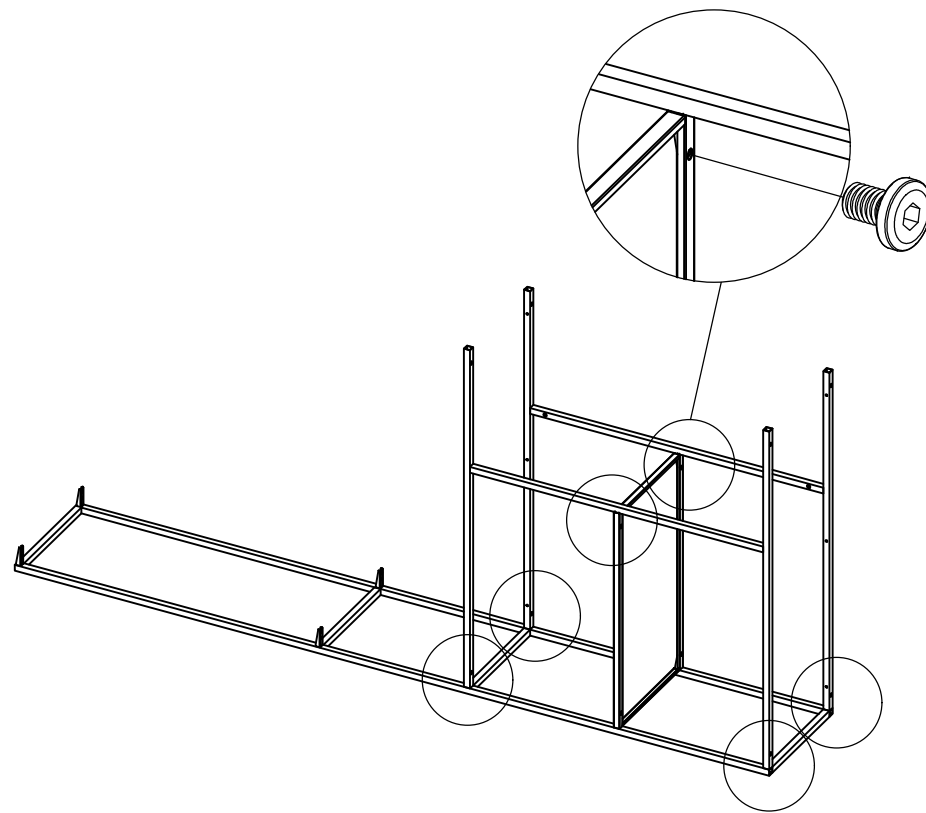
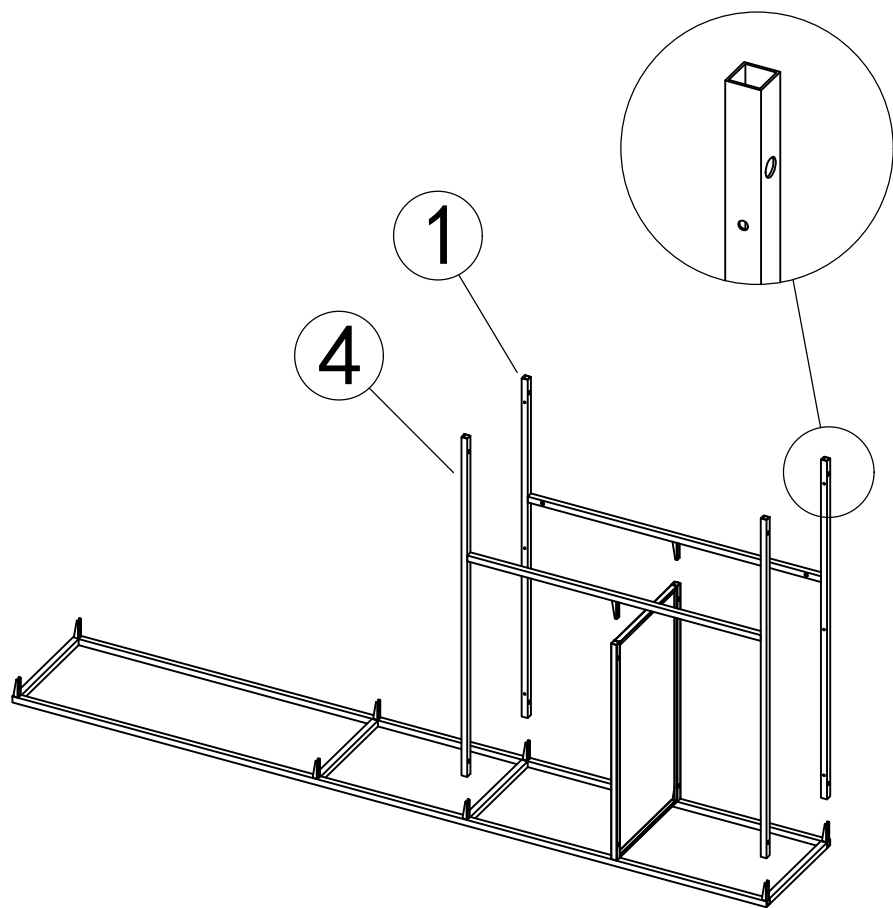


3



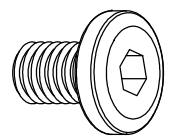
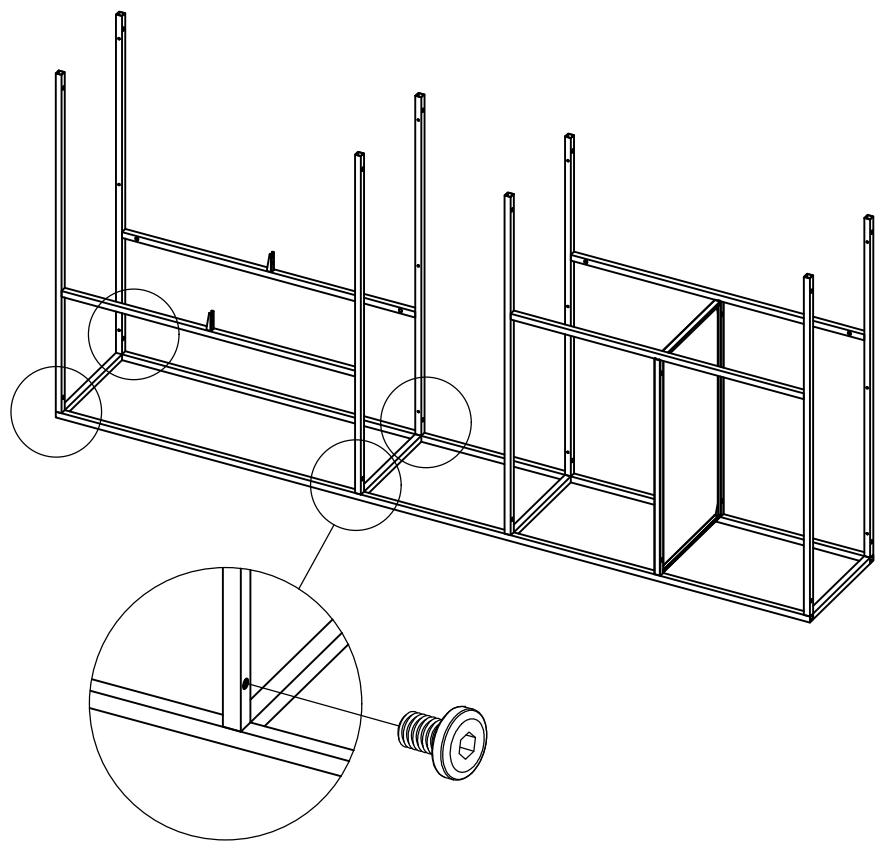
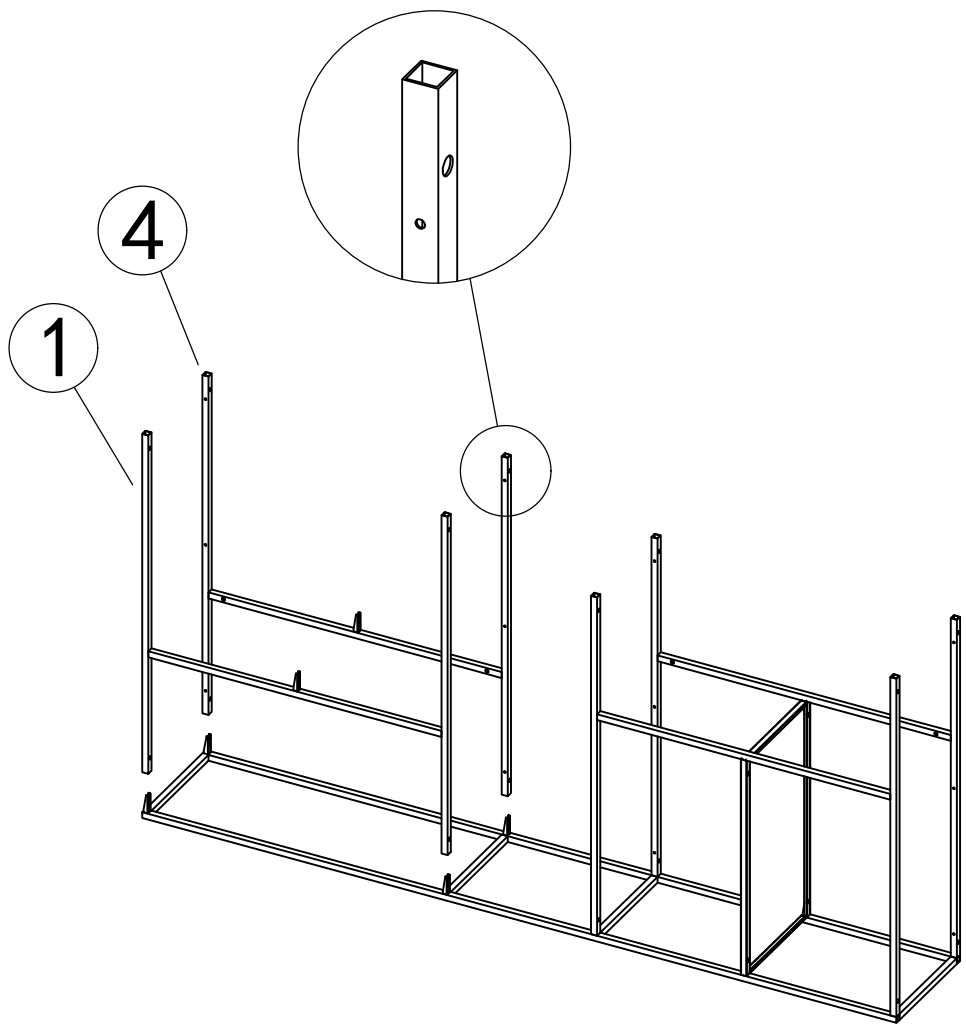
a X 2

4



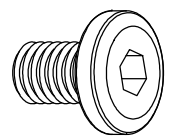
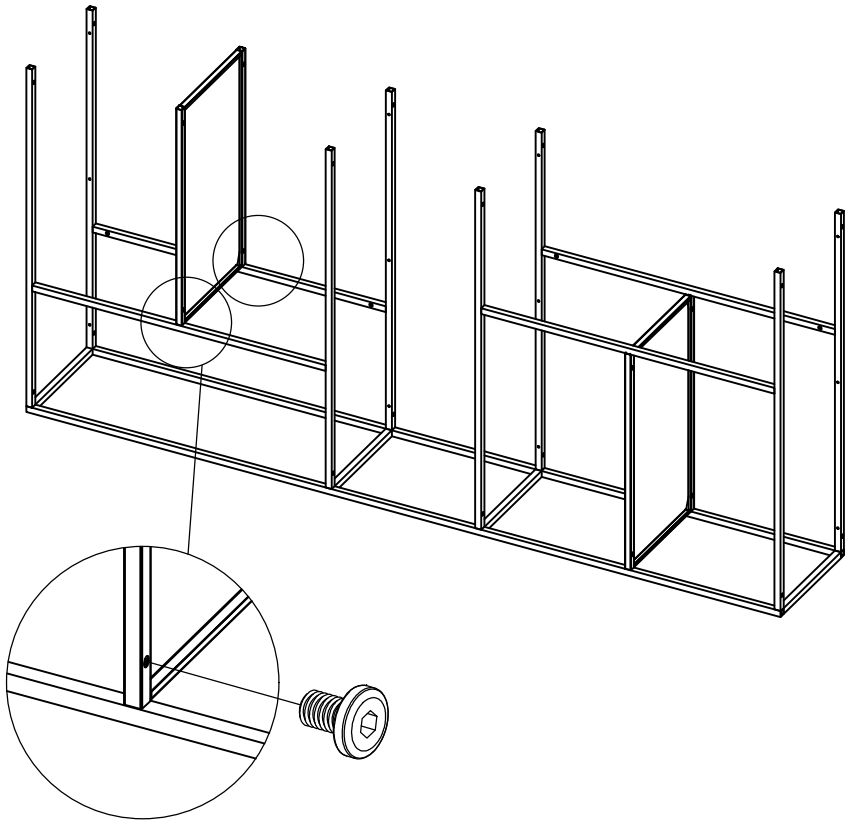
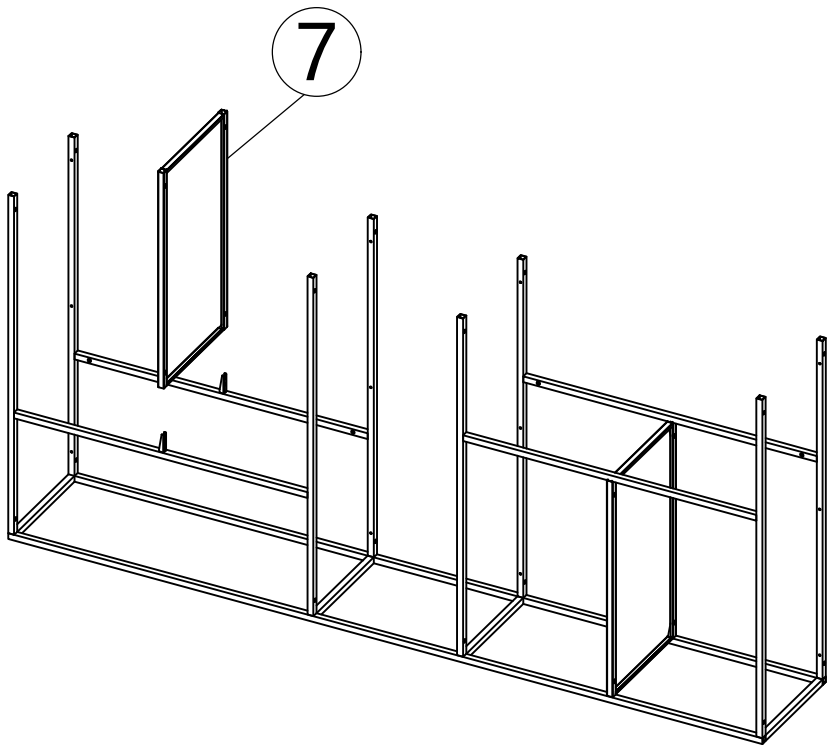
a X 6

5



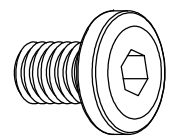
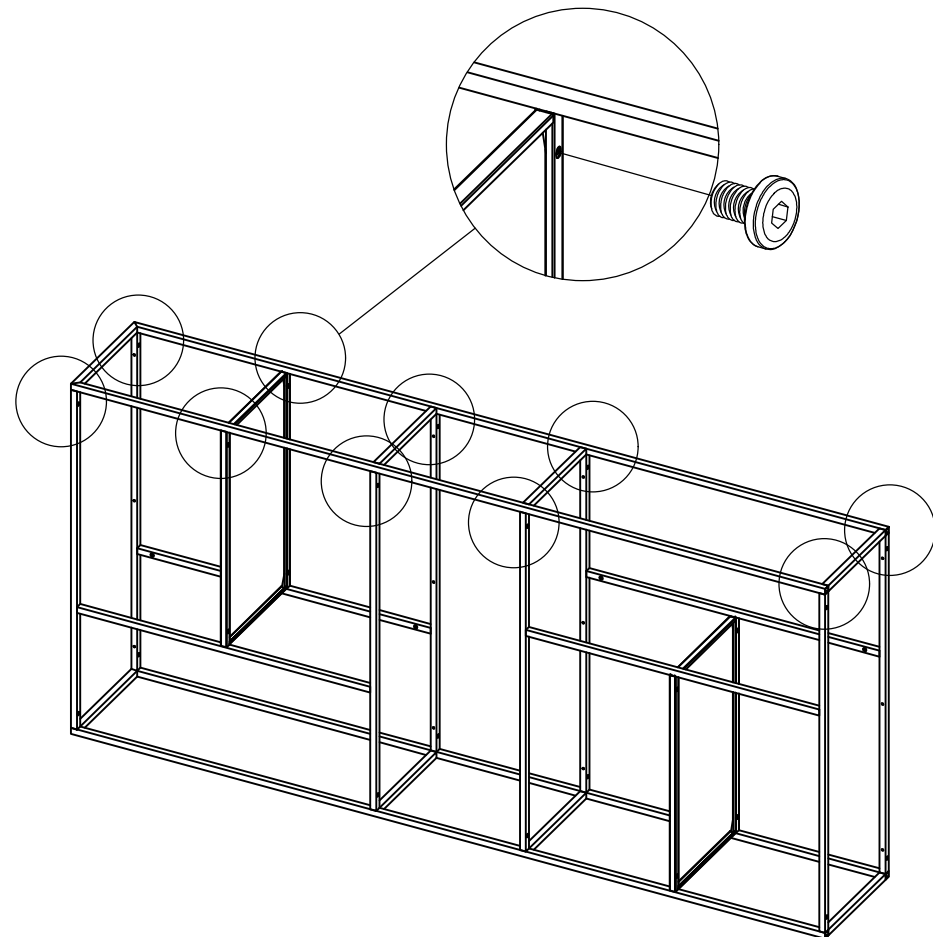
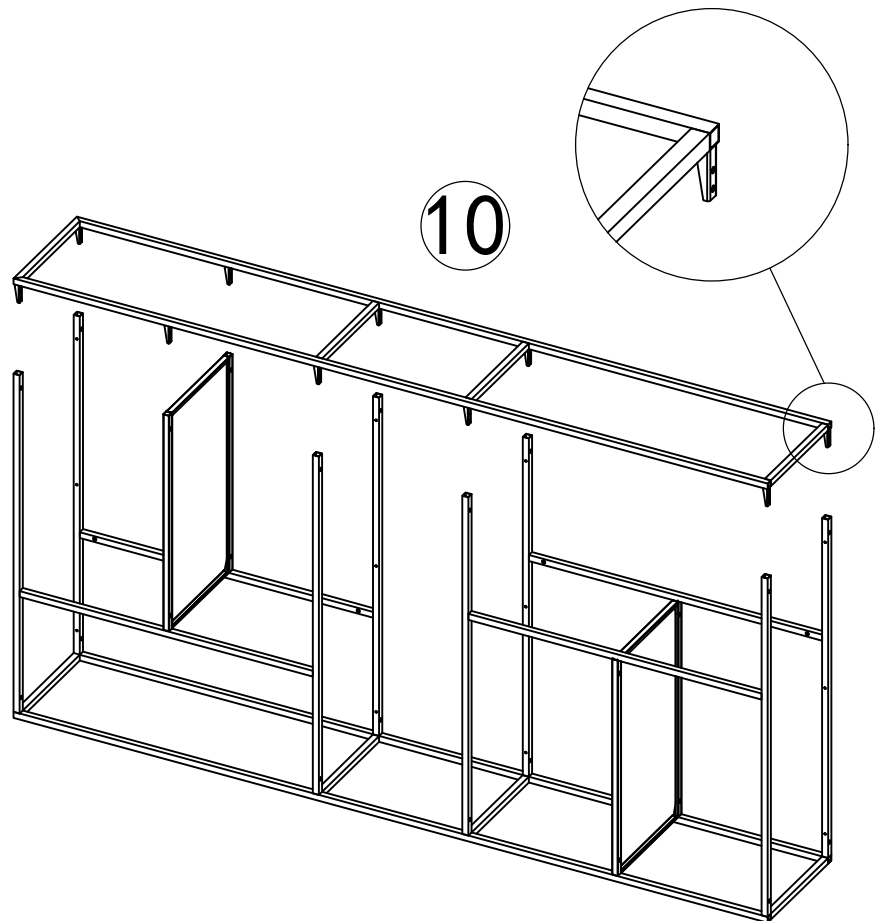
a X 4

6



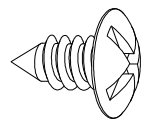
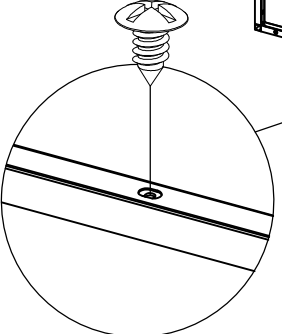
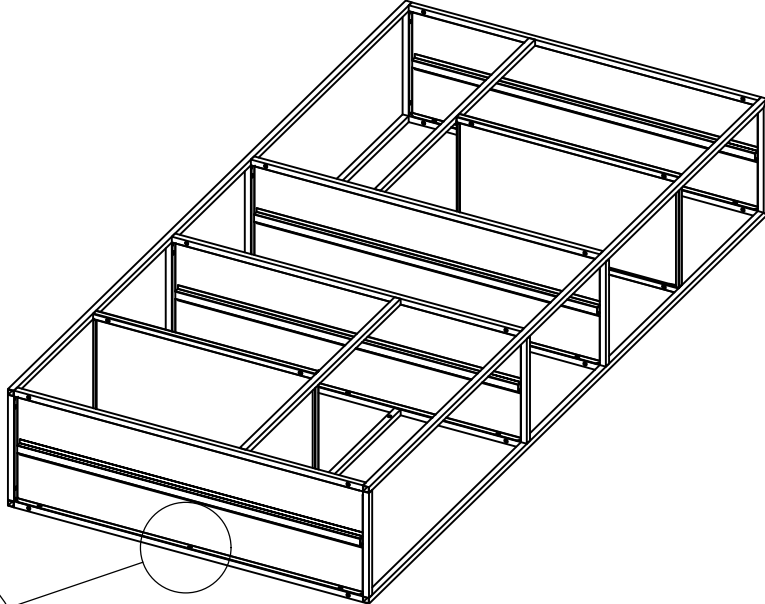
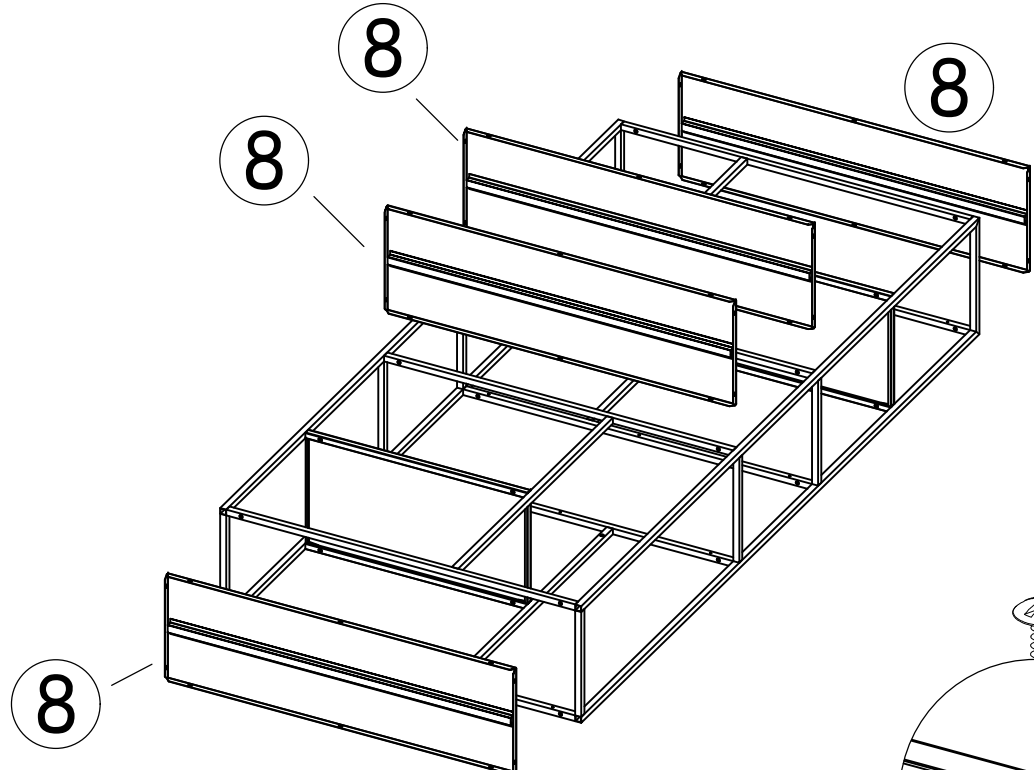
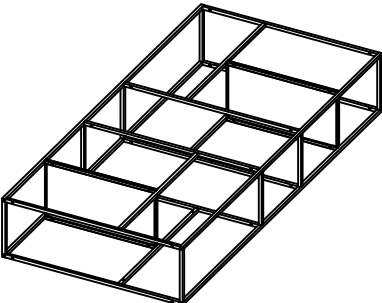
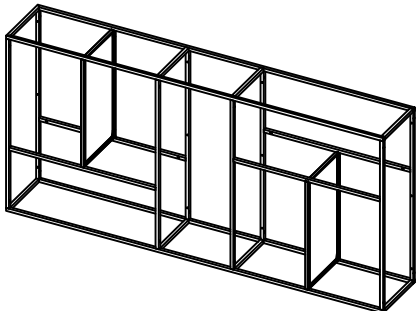
a X 2

7



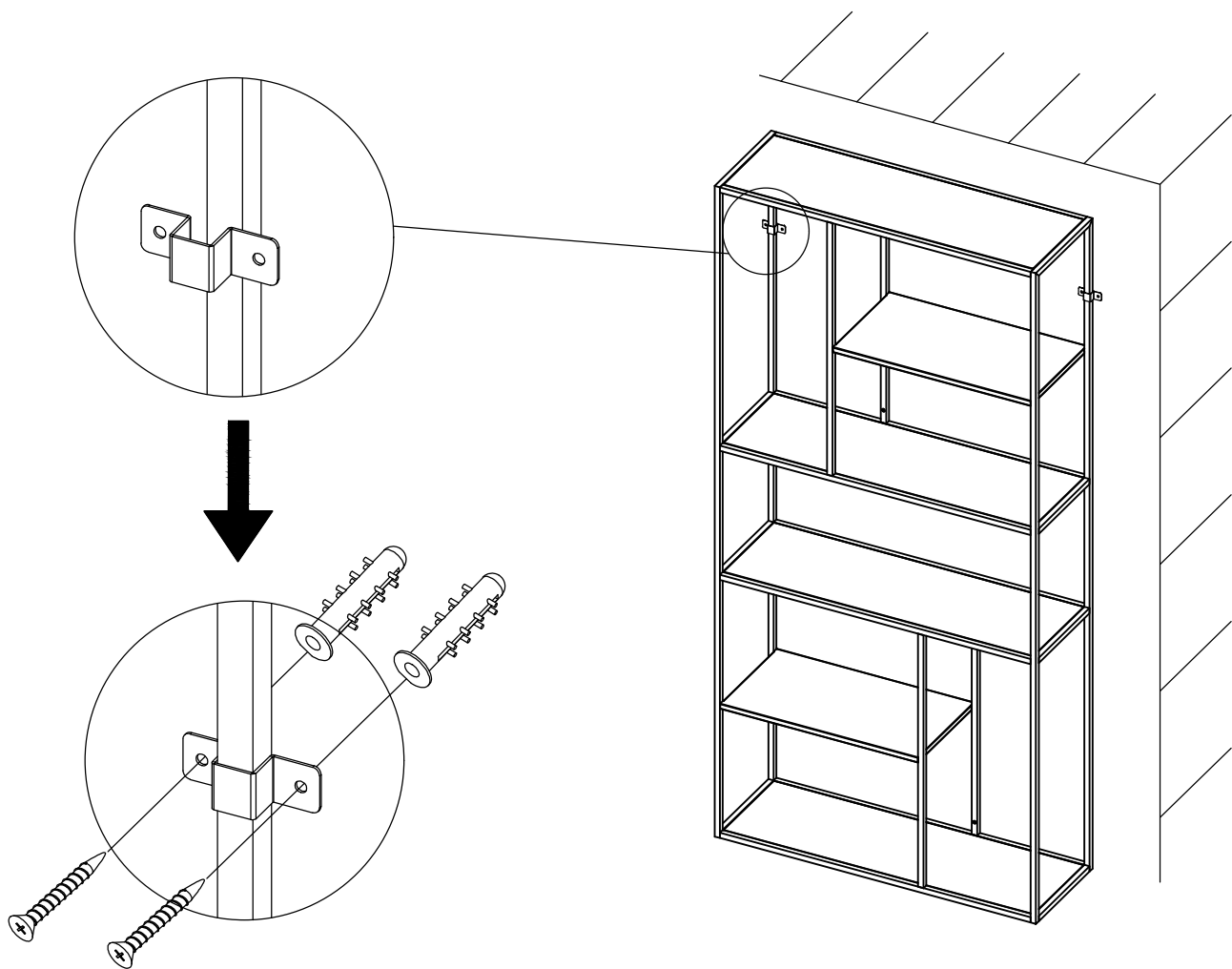
a X 10

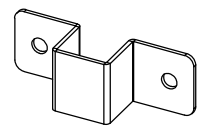
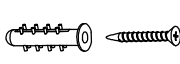
8



b × 24

9



-  $c \times 2$
-  $d \times 4$