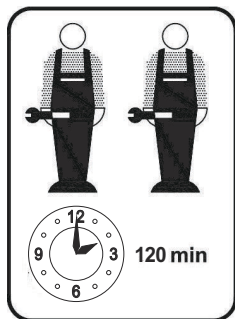
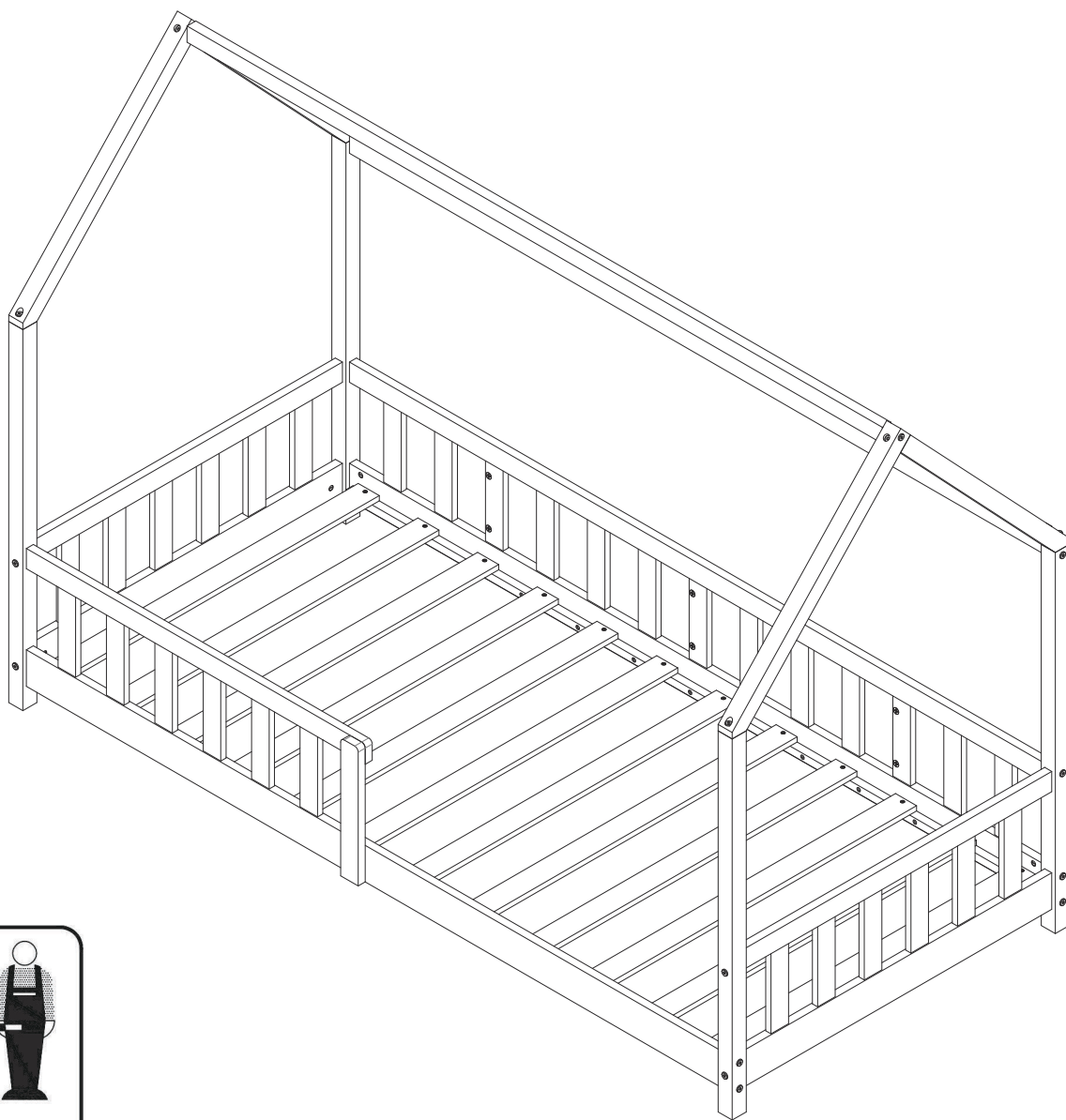


[en.casa]

90x200cm

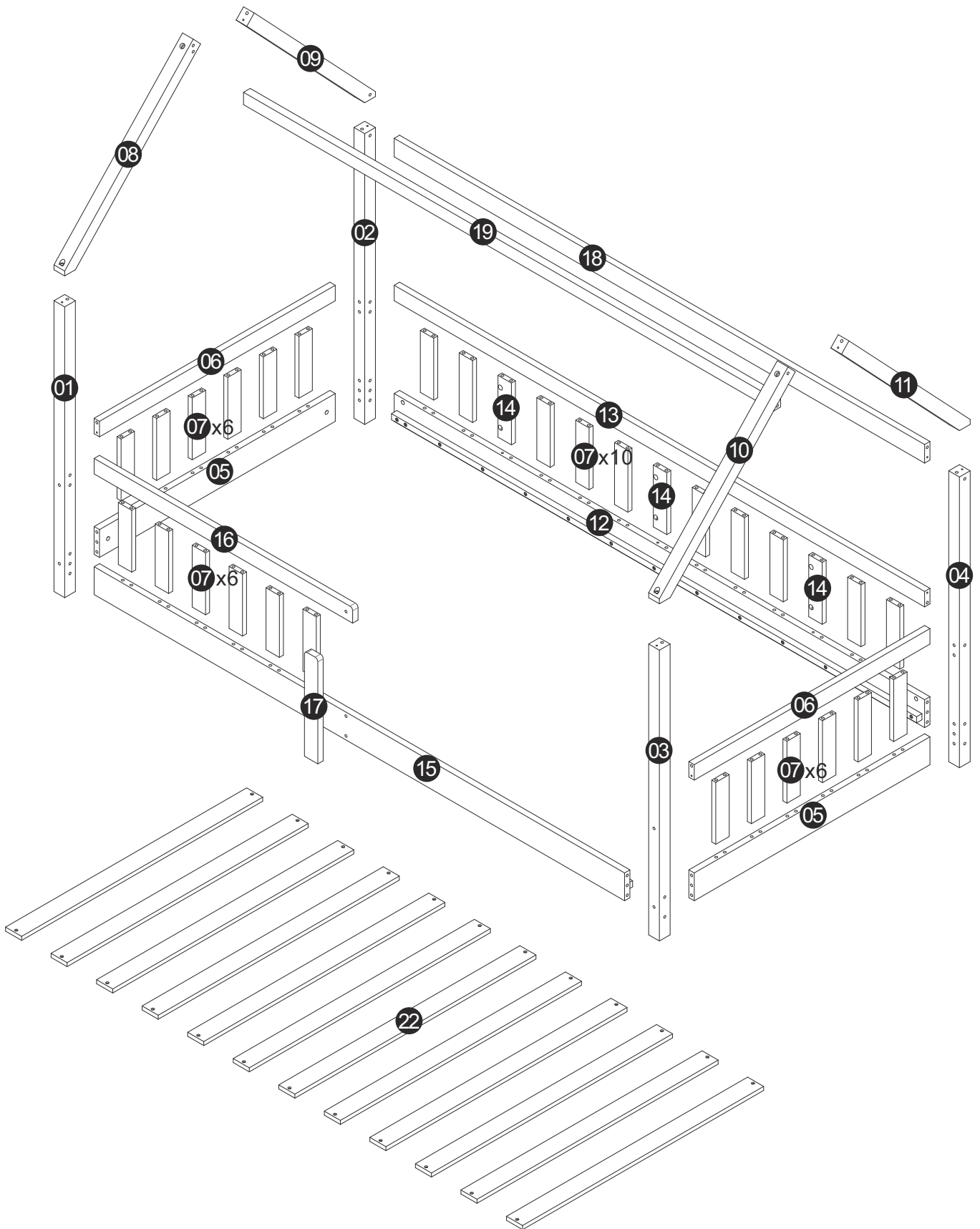


READ THE ASSEMBLY INSTRUCTIONS CAREFULLY. IDENTIFY THE ELEMENTS CONSTITUING YOUR PIECE OF FURNITURE. GROUP AND CHECK THE HARDWARE FITTINGS.GET THE TOOLS NEEDED. CLEAR SPACE TO WORK. PROCEED TO ASSEMBLE

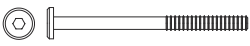


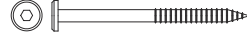
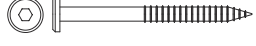
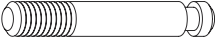

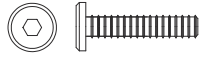
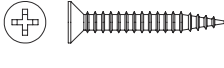

NEVER FORCE THE FITTINGS. TIGHTEN THE SCREW AFTER USING FOR SOMETIME.KEEP YOUR ASSEMBLY INSTRUCTIONS, IT COULD HELP FOR BETTER COMMUNICATION WITH YOUR STORE.IN THE EVENT OF QUERY.

V1.1
21.08.2024

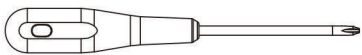
EXPLODED VIEW



HARDWARE

<p>A x12</p>  <p>M6x80</p>	<p>B x12</p> 	<p>C x151</p>  <p>Φ8x30</p>	<p>D x13</p>  <p>Φ6x80</p>	<p>E x4</p>  <p>Φ6x70</p>
<p>F x6</p> 	<p>G x6</p> 	<p>H x3</p>  <p>M6x30</p>	<p>K x24</p>  <p>Φ4x30</p>	<p>L x1</p> 

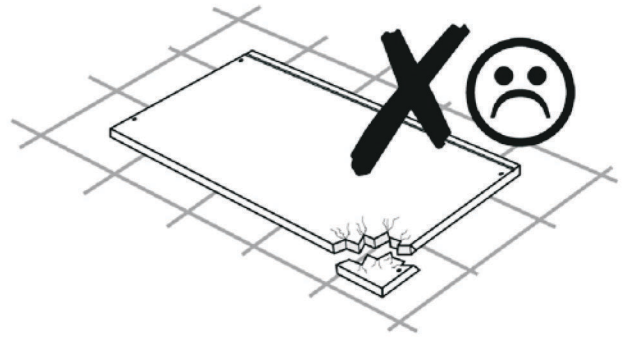
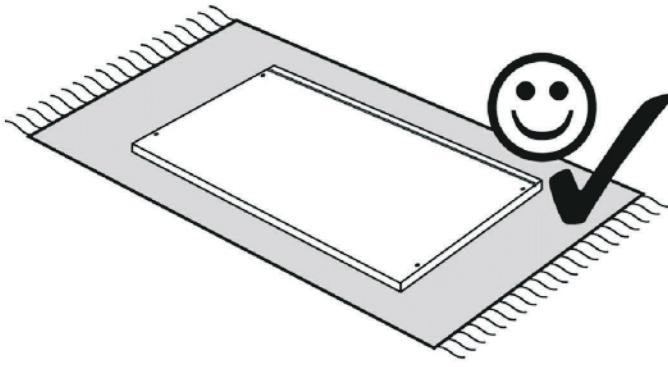
TOOLS



Ruler - Use this ruler to help correctly identify the screws



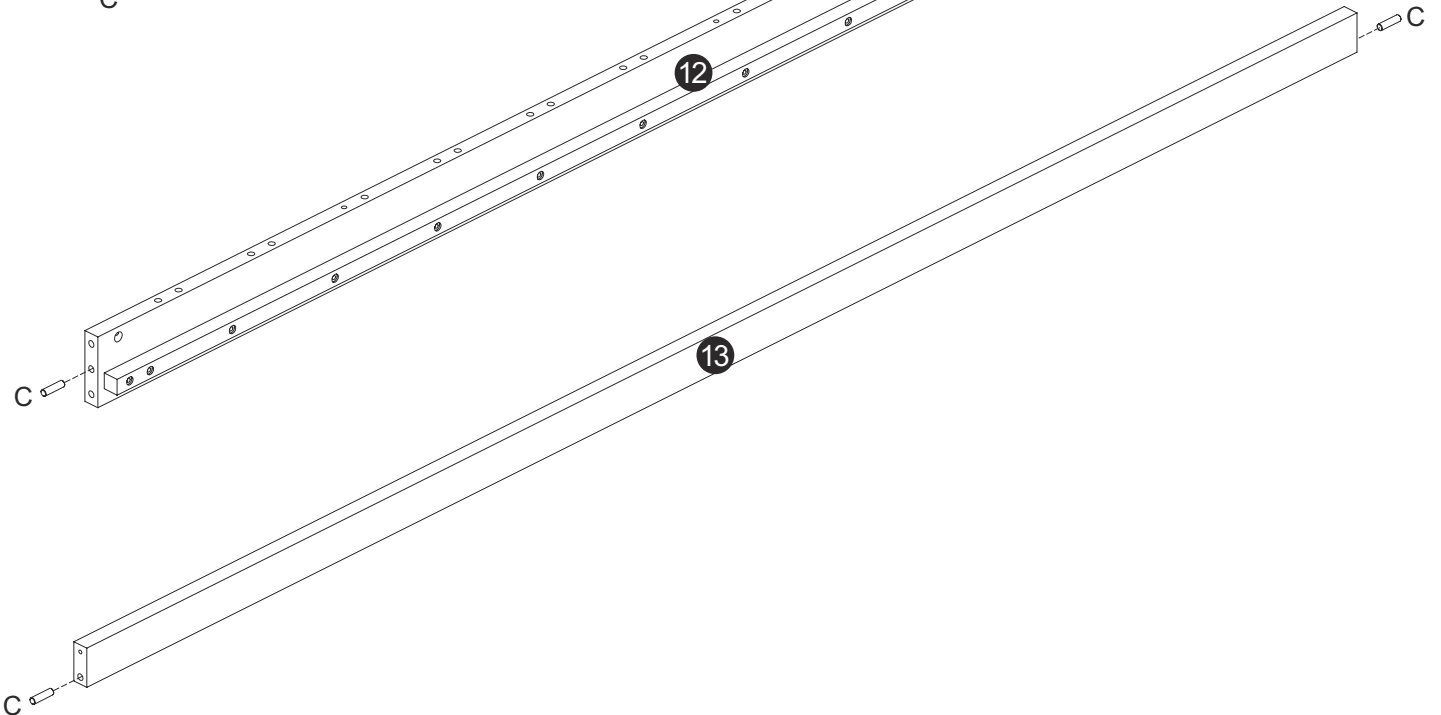
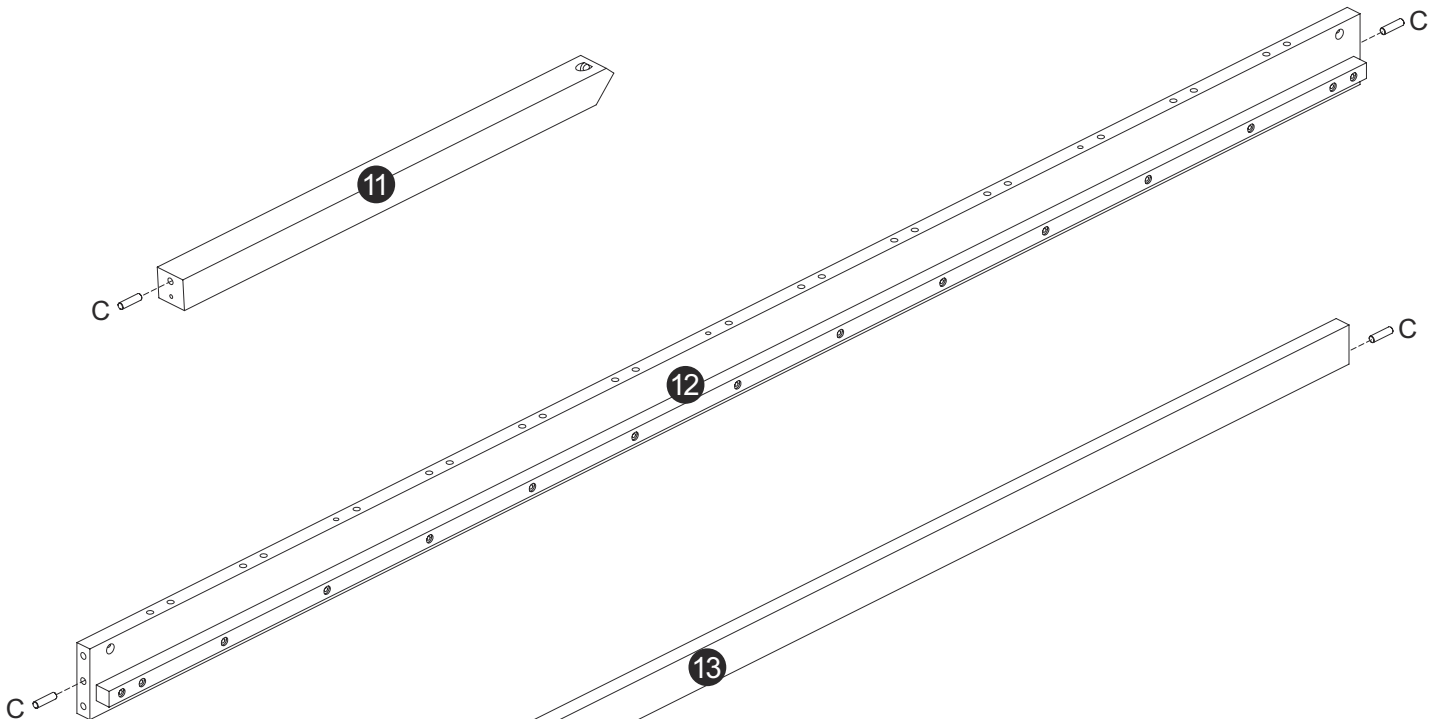
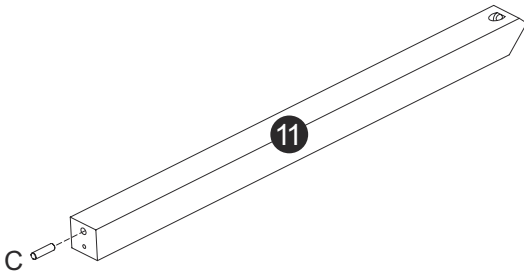
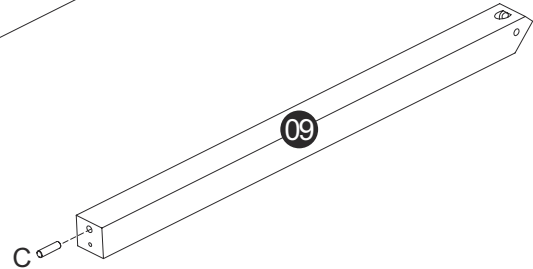
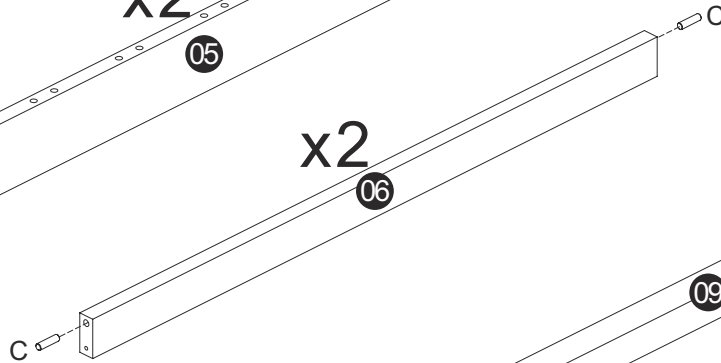
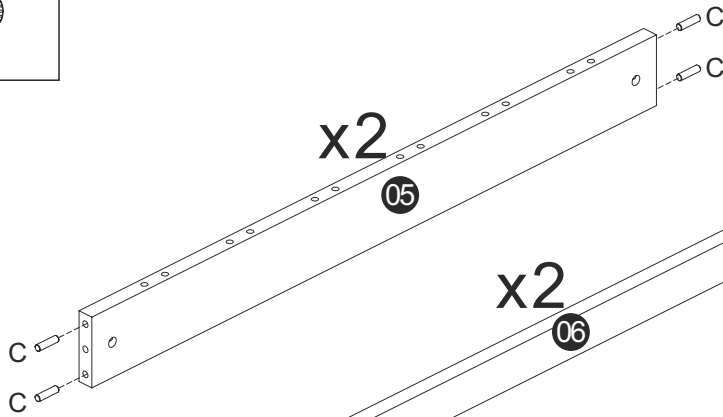
01-1



C x18



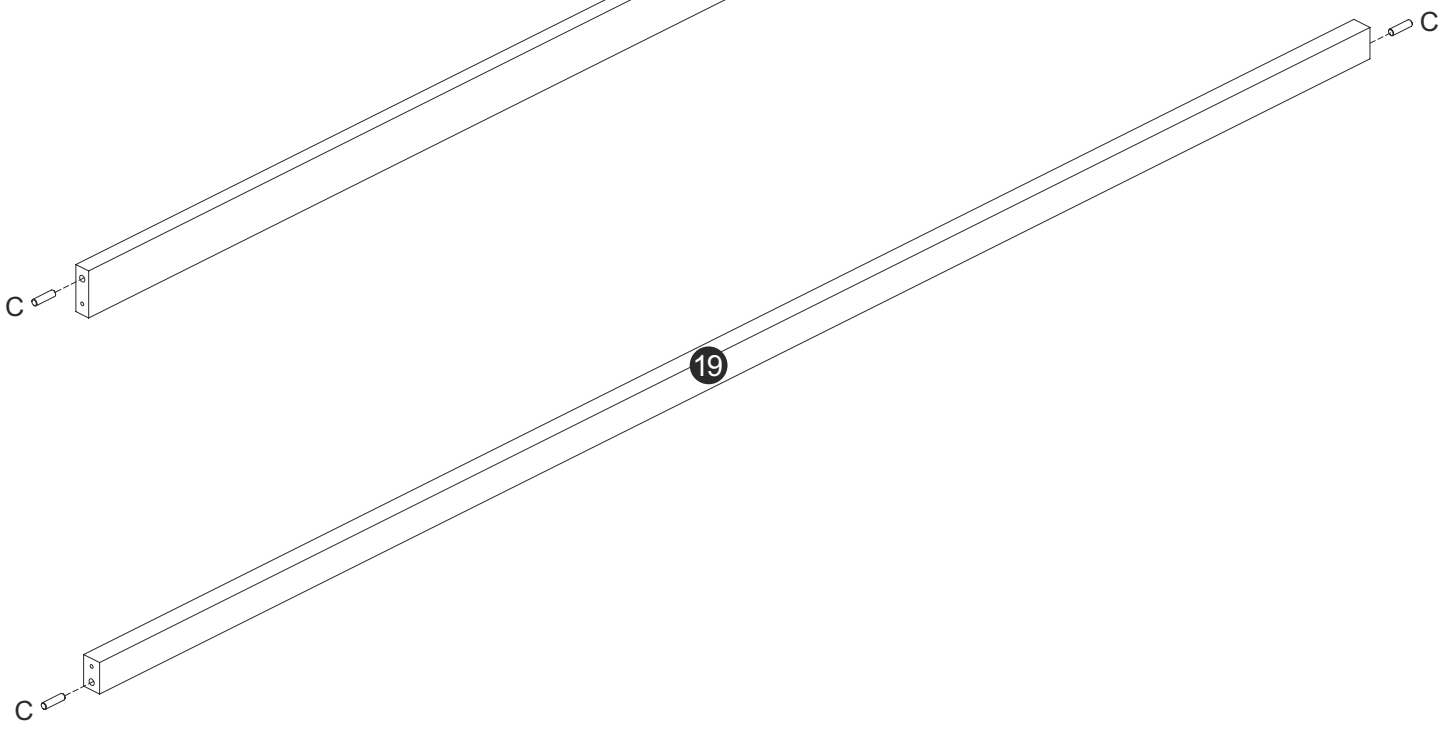
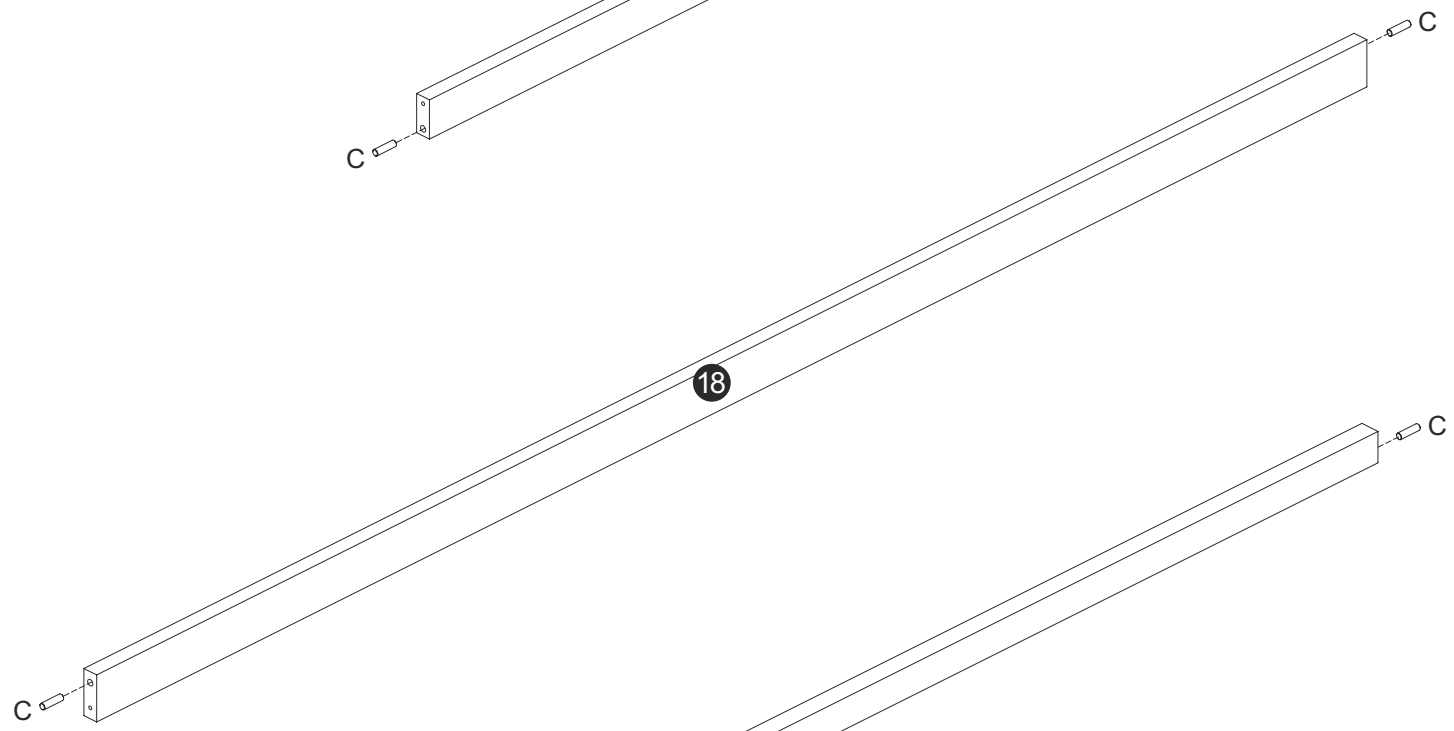
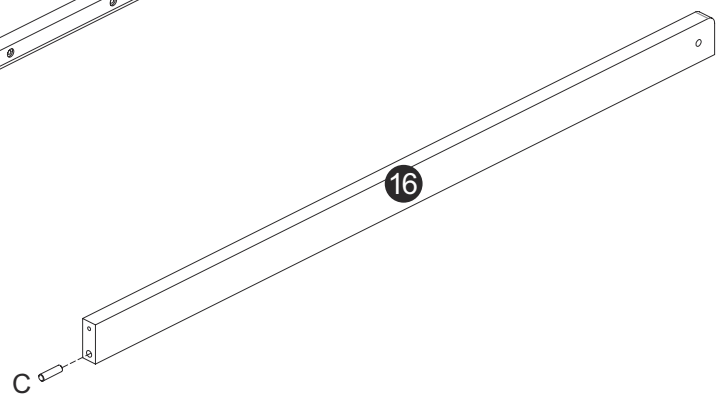
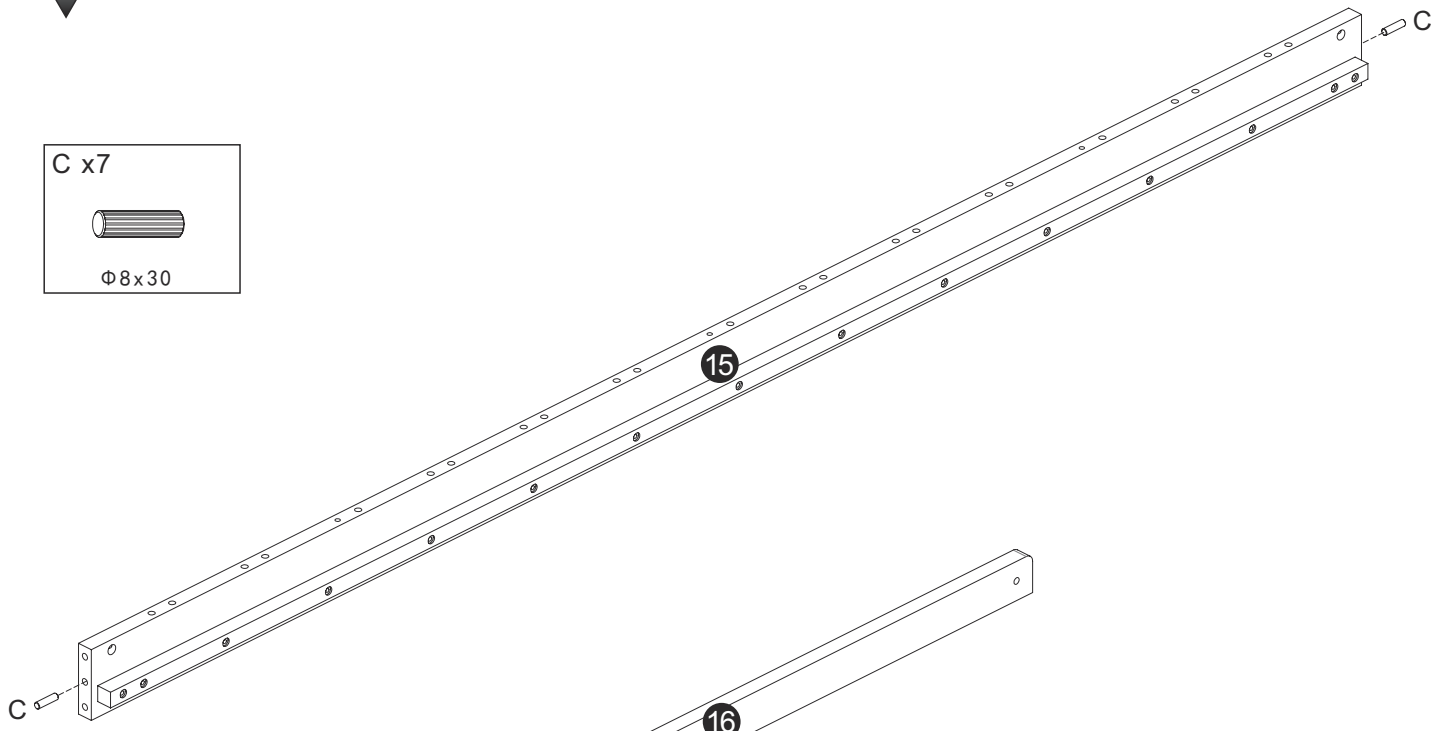
Φ8x30



C x7




Φ8x30

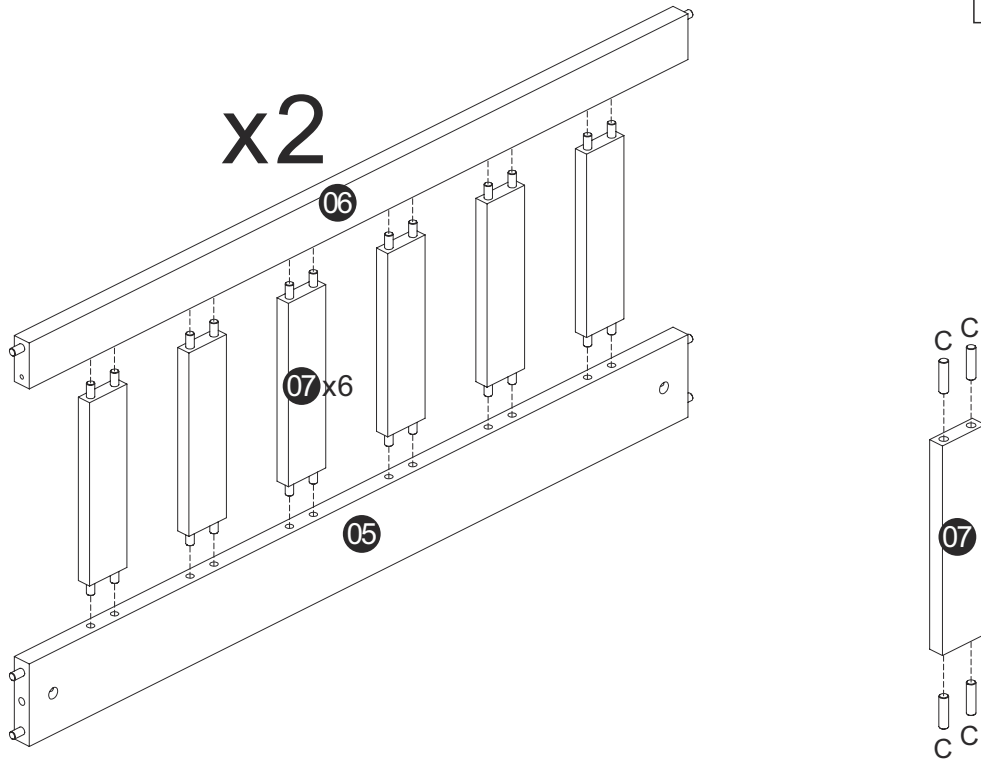


02




C x48

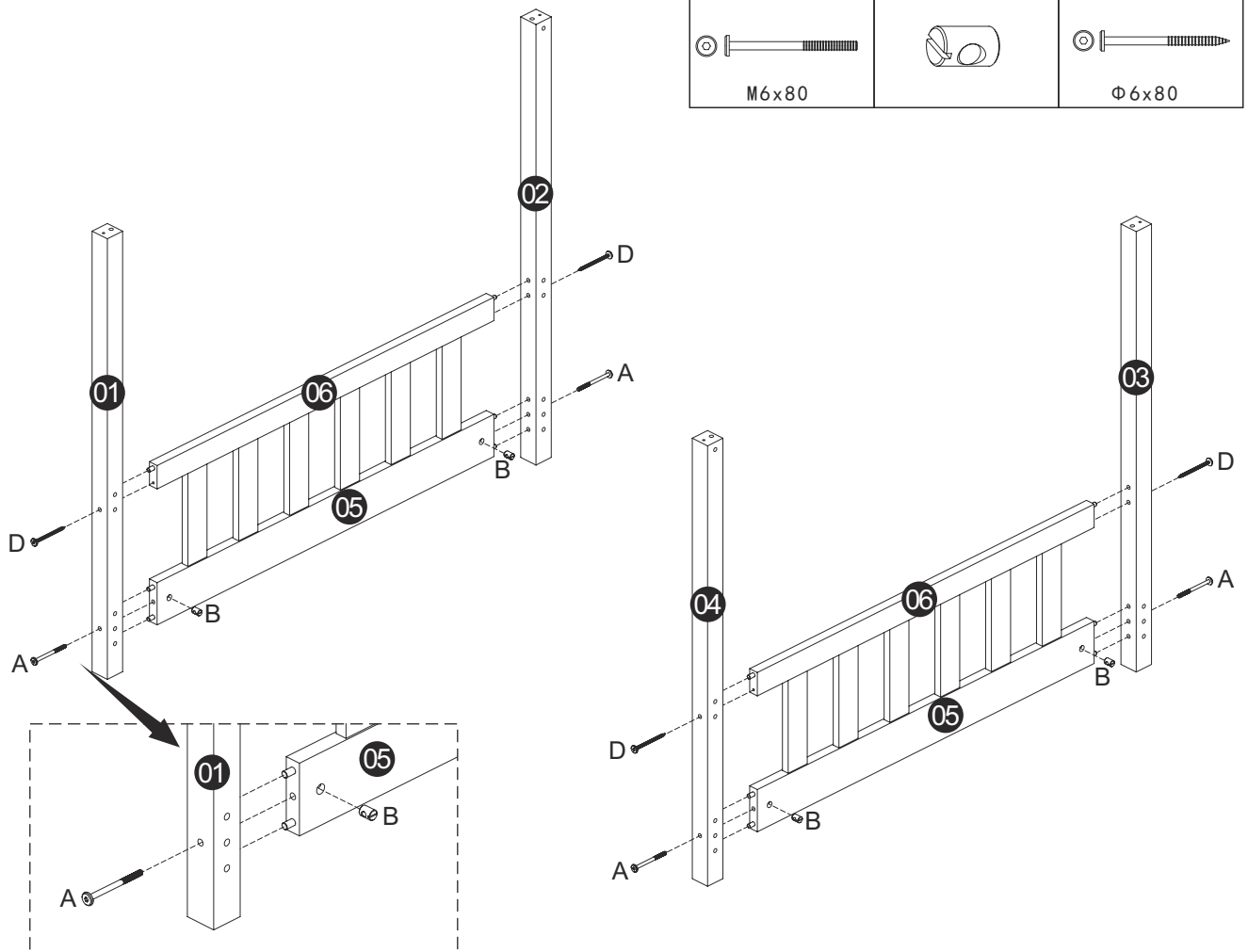


Φ8x30




03

A x4	B x4	D x4
		
M6x80		Φ6x80

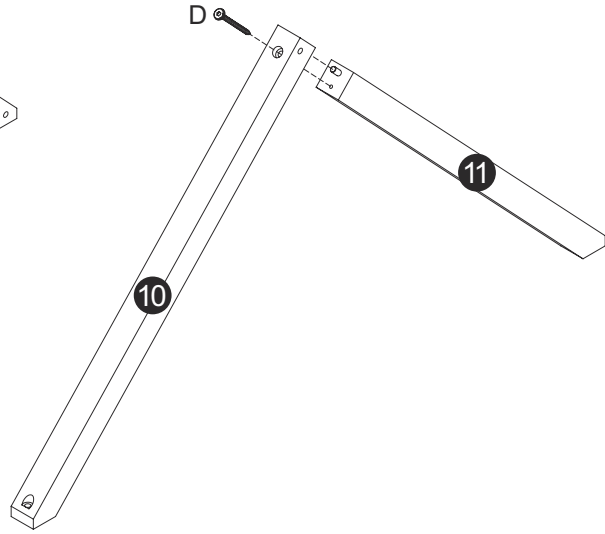
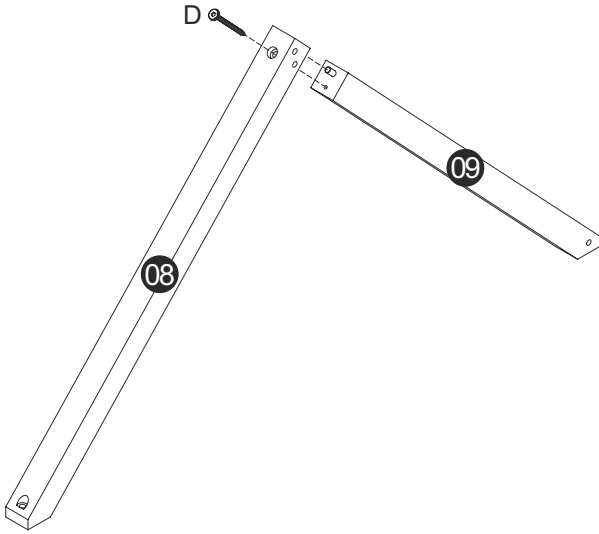


04

D x2




Φ 6x80



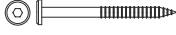
05

C x4

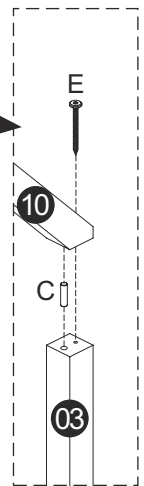
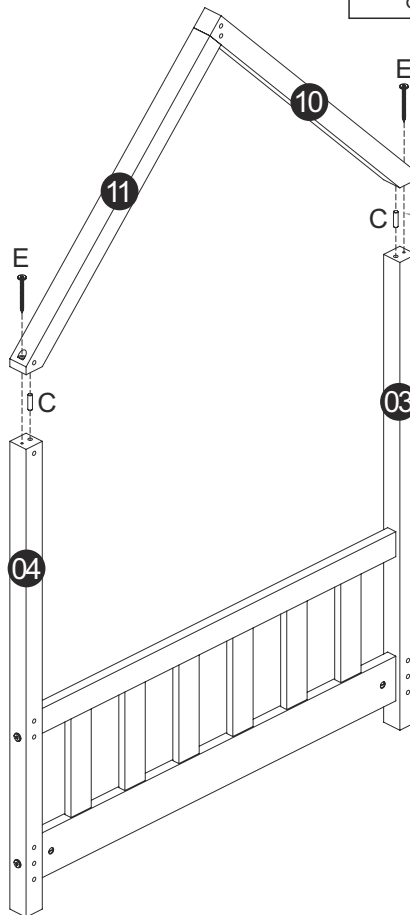
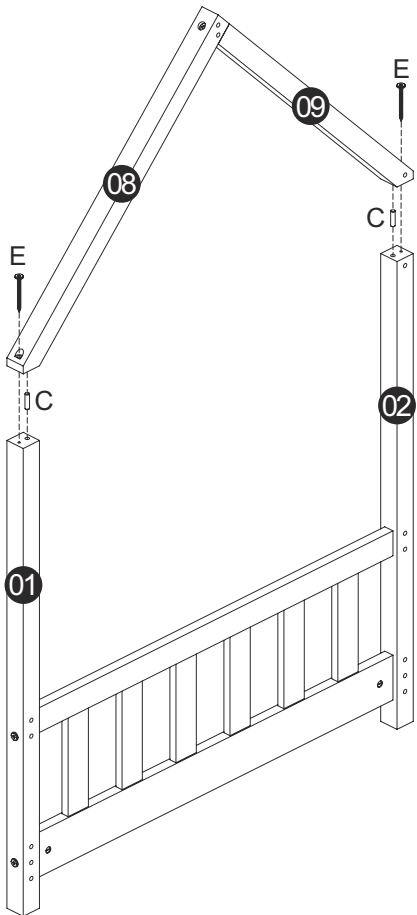


Φ 8x30

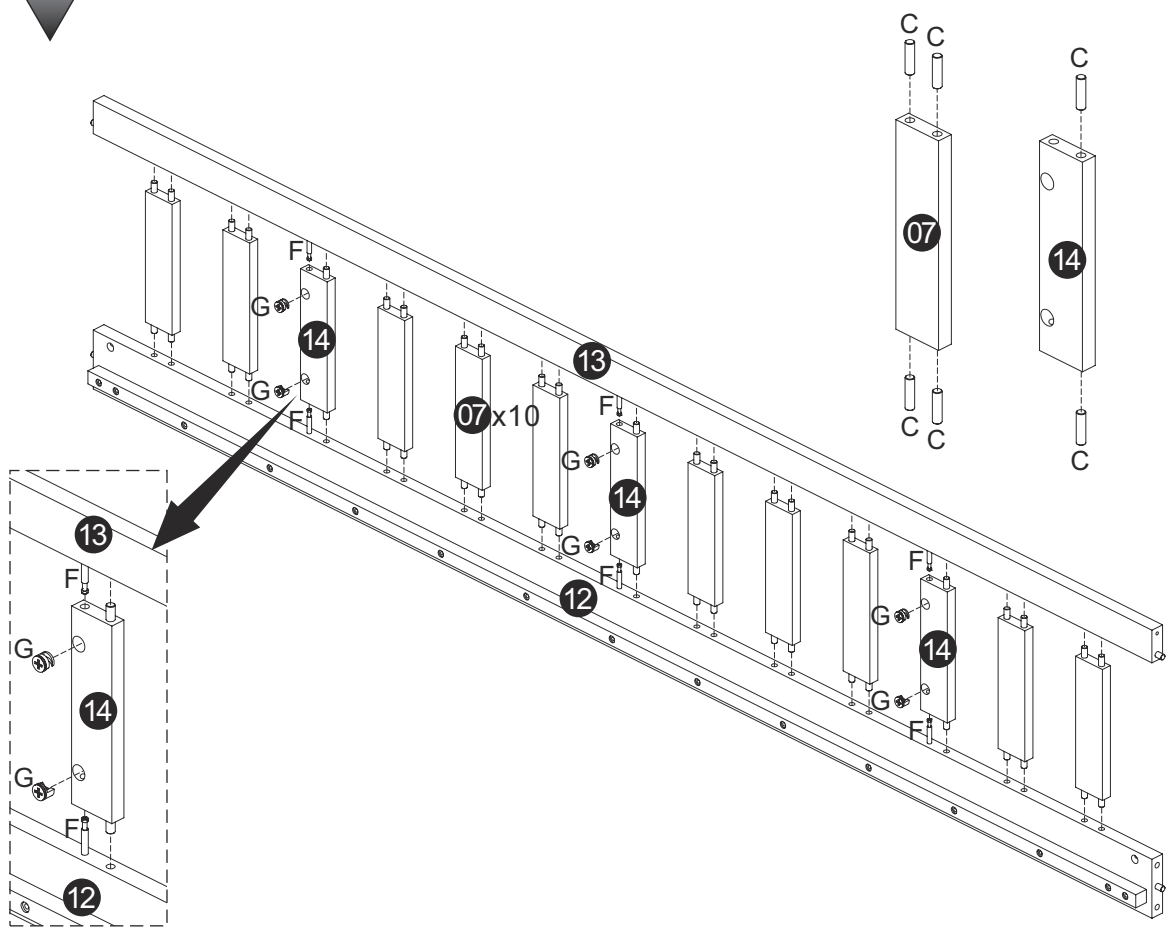
E x4



Φ 6x70

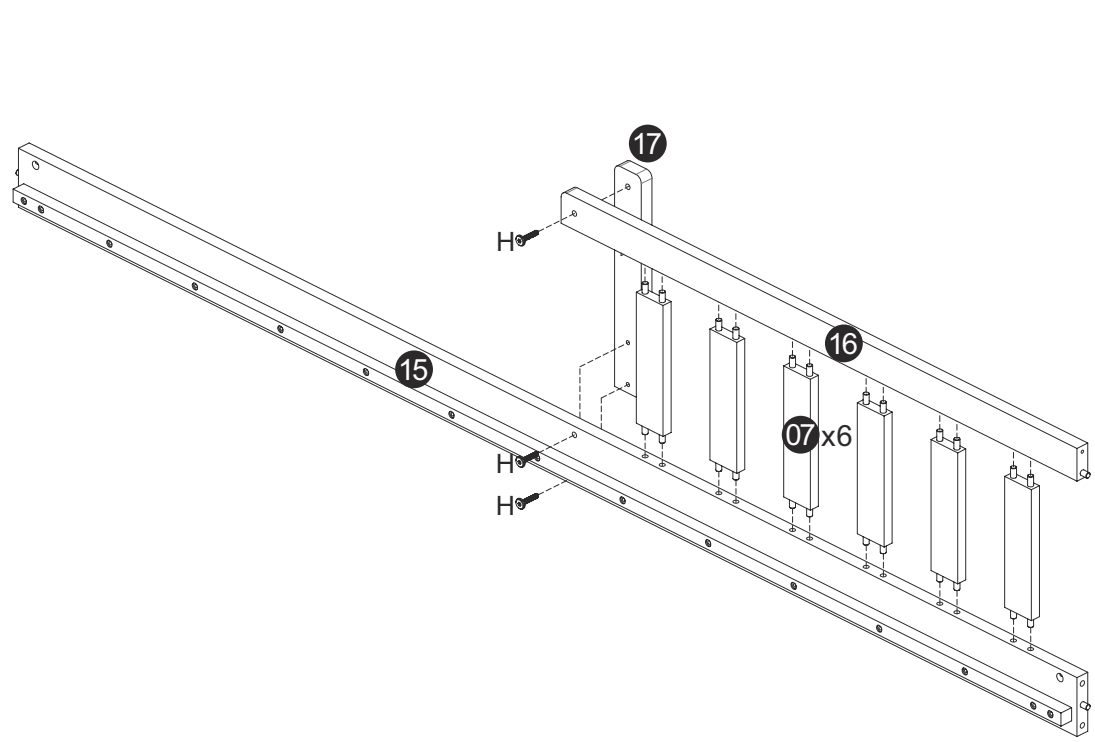


06

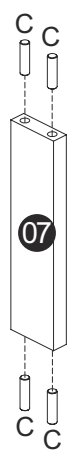


C x46	
$\Phi 8 \times 30$	
F x6	
G x6	

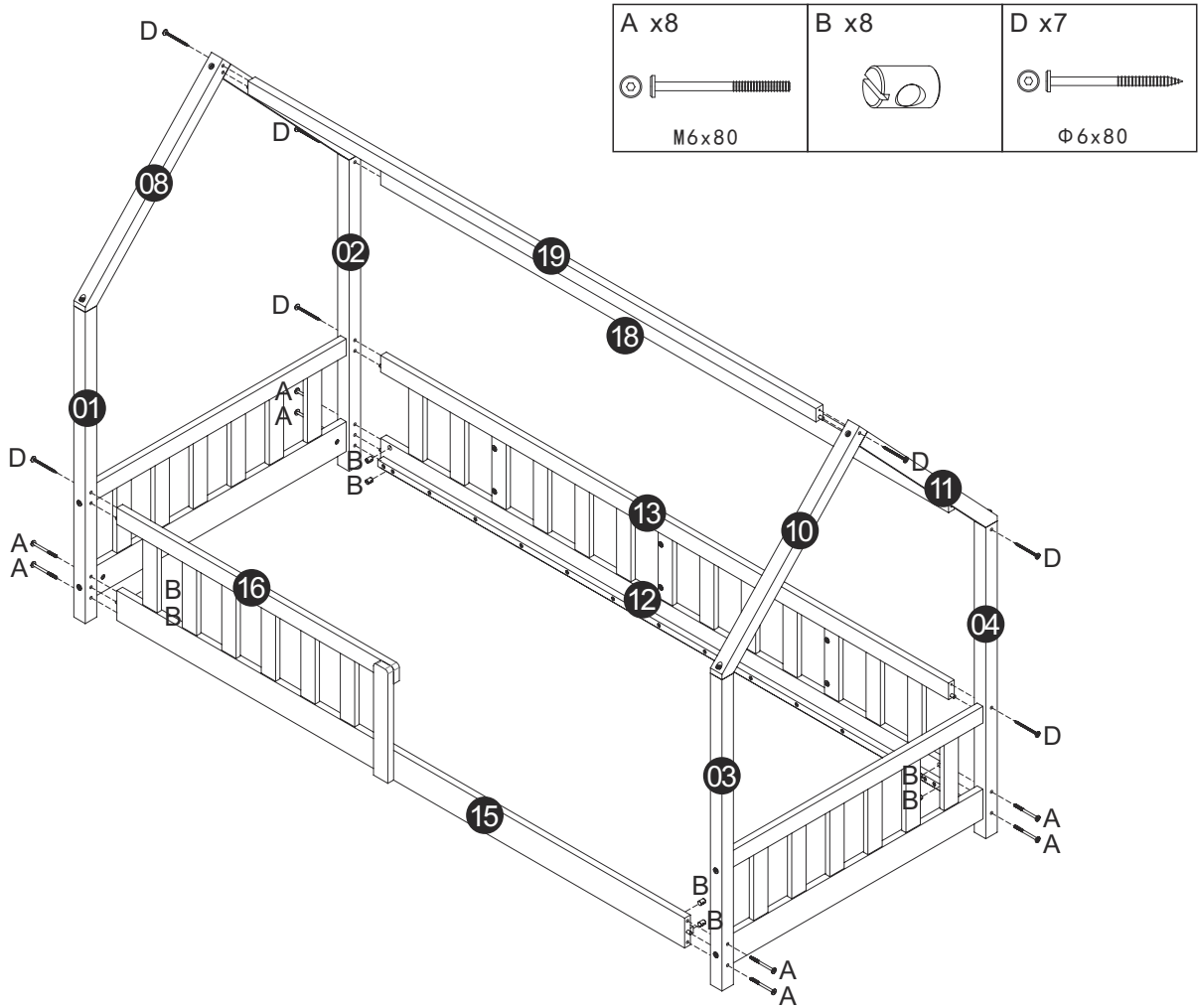
07



C x24		H x3	
$\Phi 8 \times 30$		M6 x30	



08



09

